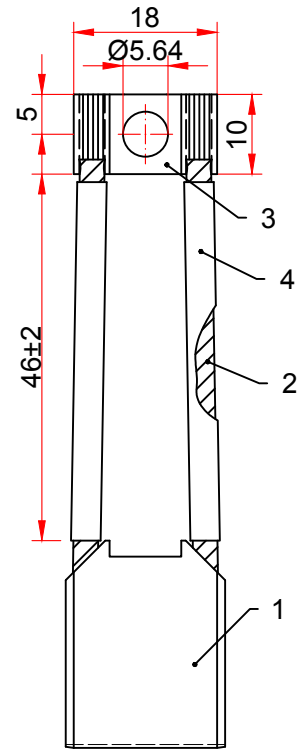
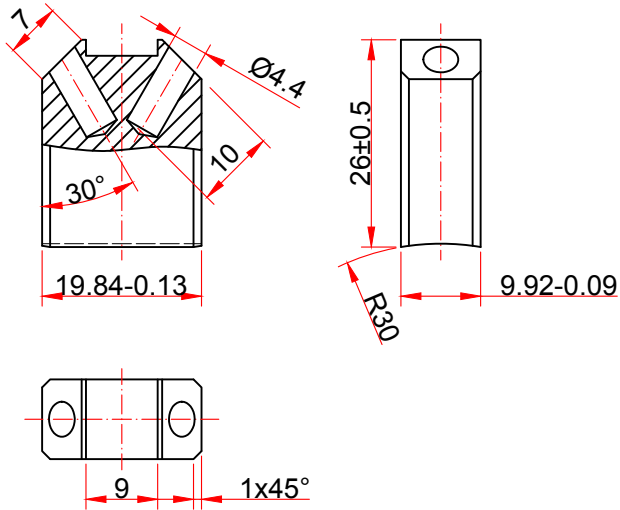


STAKO 3341.3.13



Tolerances for free dimension acc. DIN ISO 2768-m

Linear measure				Fillet/Chamfer			Riveting-angle			
0,5-6	>6-30	>30-120	>120-400	0,5-3	>3-6	>6	-10	>10-50	>50-120	>120-400
±0,1	±0,2	±0,3	±0,5	±0,2	±0,5	±1	±1°	±0°30'	±0°20'	±0°10'

4	2	Insulation(45±0.5) mm		52	Silicon	—
3	1	Terminal		20687	M	—
2	2	Cable(58.5±0.5) 4mm ²		30	Se-Cu	—
1	1	Brush body		—	Metalgraphite	—
Pos.	Pcs.	Description	Dimension	Code	Material	Obs.

SCHUNK CARBON TECHNOLOGY SRL



Scale:
1:1

t:10 a:20 r:26

Data:	01.06.2016
Design:	Ing. C. Peltea
Contr.:	V. Vespan
Ind. Specification	Data
Name	Aprov. Ing. A. Zanfir

Drawing no: **SRB 112 102 055a**

Index

Replace dwg no. 2987

Version